

Illustration - Type - E

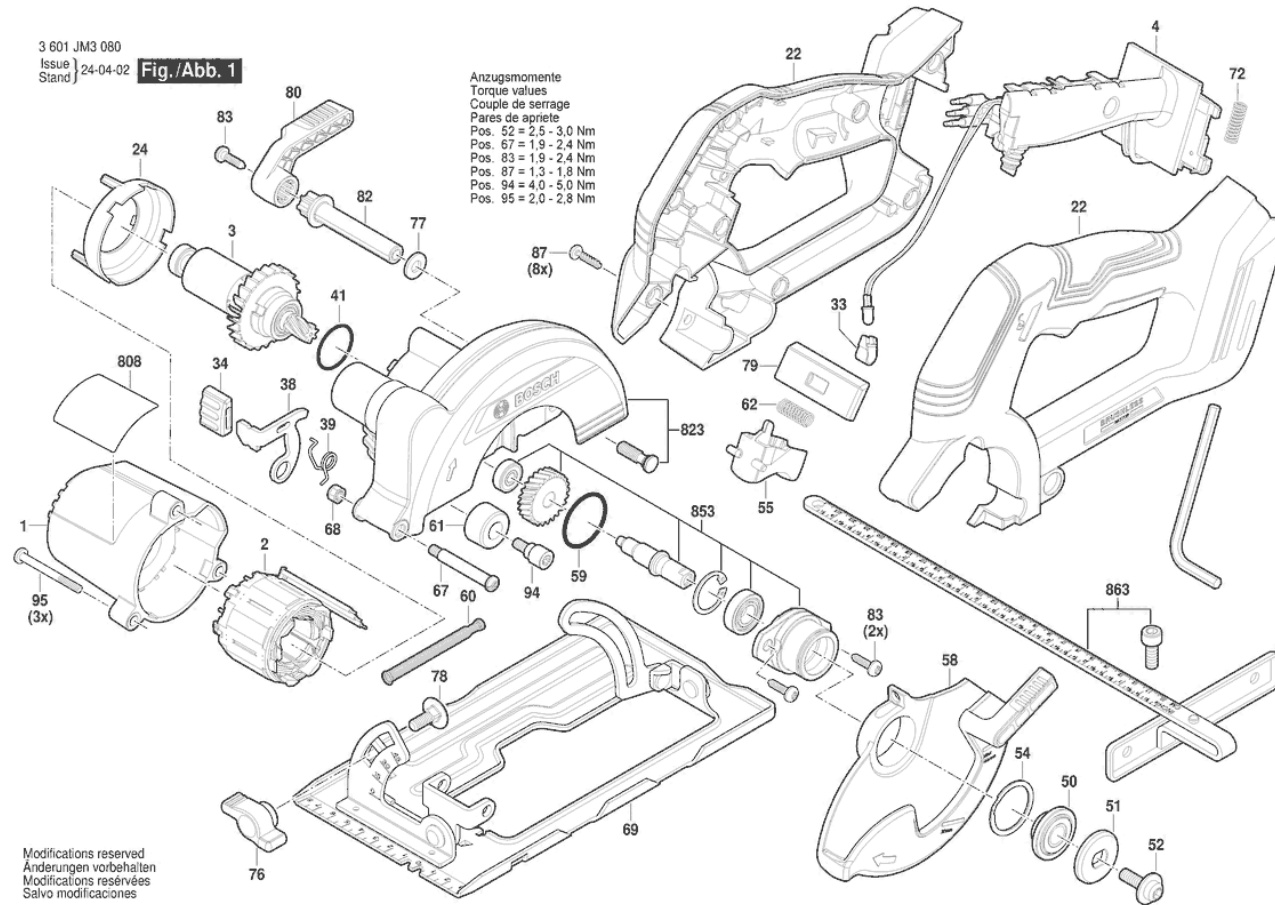
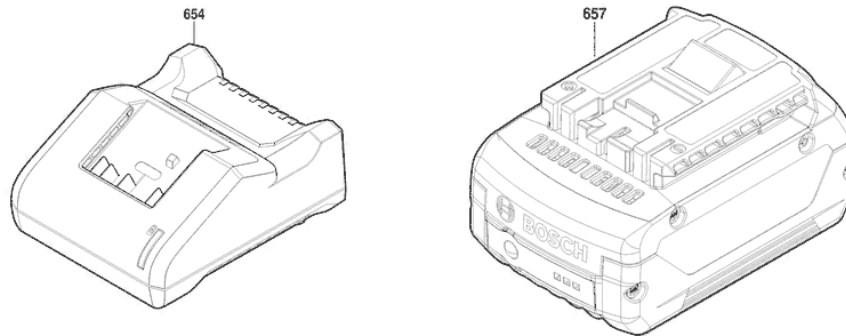


Illustration - Type - E

3 601 JM3 080
Issue | 24-04-30
Stand | **Fig./Abb. 2**



Modifications reserved
Änderungen vorbehalten
Modifications réservées
Salvo modificaciones

Spare parts list

Item	Part Number	Description	Illustration
1	1 619 PS0 513	Motor Housing	1
2	1 619 PS0 514	Stator	1
3	1 619 PS0 515	Rotor	1
4	1 619 PS0 516	Electronic Module	1
22	1 619 PS0 517	Handle	1
24	1 619 PS0 518	Baffle	1
33	1 619 PS0 519	Key Holder	1
34	1 619 P16 983	Cap	1
38	1 619 PS0 521	Guide Bracket	1
39	1 619 PS0 522	Coil Spring	1
41	3 600 210 016	O-Ring 22,0X1,5 MM	1
50	1 619 PS0 524	Inner Disc	1
51	1 619 PS0 525	Locking washer	1
52	1 619 PS0 526	Clamp Screw	1
54	1 619 P10 737	Retaining ring	1
55	1 619 PS0 528	Trigger	1
58	1 619 PS0 918	Lower guard	1
59	1 610 210 100	O-Ring 27,0X1,5 MM	1
60	1 619 PS0 531	Extension Spring	1
61	1 619 P06 236	Bumper BLACK	1
62	2 610 935 251	Compression Spring	1
67	1 619 P11 929	Screw	1
68	2 610 924 684	Jam Nut	1
69	1 619 PS0 919	Base Plate	1
72	2 604 690 055	Compression Spring	1
76	1 619 P06 244	Wing Nut	1
77	2 916 011 014	Plain Washer DIN 125-A 6,4-ST	1
78	1 619 P06 211	Round-Head Bolt	1
79	1 619 PS0 541	Switch Button	1
80	1 619 P16 990	Lever	1
82	1 619 PS0 543	Adjustment rod	1
83	1 619 P01 931	Screw BLACK	1
87	2 603 490 022	Screw 4X16	1
94	1 619 P06 246	Screw	1
95	2 610 925 864	Screw	1

Spare parts list

Item	Part Number	Description	Illustration
808	1 619 PS0 927	Nameplate	1
823	1 619 PS0 921	Upper guard	1
853	1 619 PS0 550	Bearing Flange	1
863	1 619 PS0 706	Mitre Fence	1
654	2 607 226 251	Fast Charger	2
654	2 607 226 253	Fast Charger GB GAL 18V-40	2
654	2 607 226 267	Fast Charger CN GAL 18V-40	2
654	2 607 226 281	Fast Charger	2
654	2 607 226 283	Fast Charger UK GAL 18V-20 220-240V / 2A / 12-18V	2
654	2 607 226 297	Fast Charger	2
654	2 607 226 537	Fast Charger IND GAL 18V-40 220-240V / 4A	2
657	1 607 A35 0M0	Battery Pack GBA 18V 4.0AH	2
657	2 607 337 069	Battery Pack	2